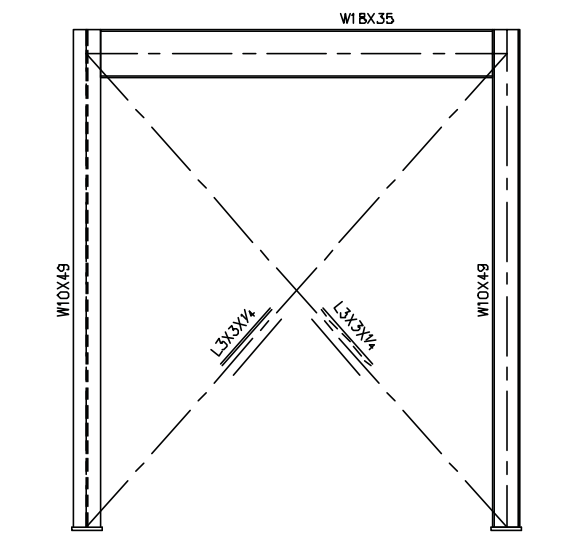
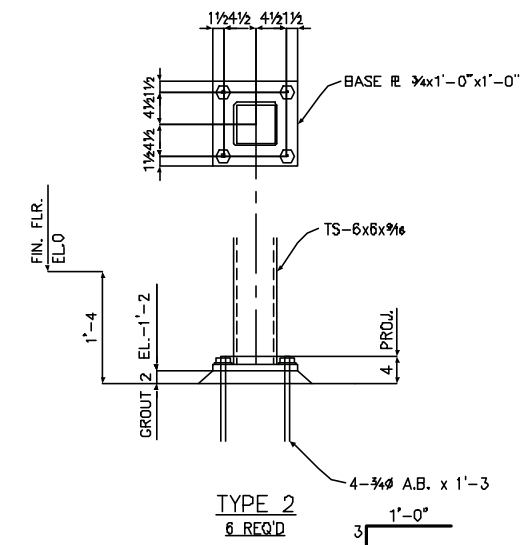
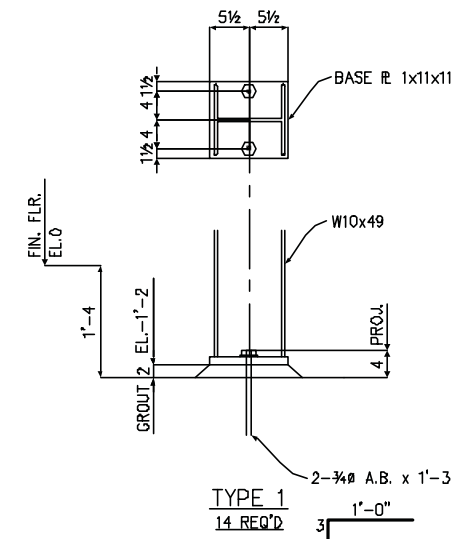


FRAMING PLAN



TYPICAL BRACING BAY



REV.	DATE	DESCRIPTION	PRINTS	NO.	DATE	NO.	DATE
JOB: ABC123 JOB			FIELD				
LOCATION: SOME PLACE, US			SHOP				
CUSTOMER: GOOD CONTRACTOR			APPROVAL				
DRWG. COVERS: PLANS							
DETAILER: JEFF		DATE:	JOB NO.:		DRWG. NO.:		
CHECKER:		DATE:	2001-10		E1		
IN CHARGE OF: PROJECT MANAGER		DATE:	01-0001				